



# Keðjulisti

# Drifkeðjur BS/DIN ( British standard )

## Keðja 3/8"

111 RF-06-B1  
111 RF-06-B1-CL  
111 RF-06-B1-POL

KEÐJA 3/8"  
KEÐJULÁS 3/8"  
HÁLFHLEKKUR 3/8"

EINFÖLD TSUBAKI  
EINFALDUR TSUBAKI  
EINFALDUR TSUBAKI



111 RF-06-B2  
111 RF-06-B2-CL  
111 RF-06-B2-POL

KEÐJA 3/8"  
KEÐJULÁS 3/8"  
HÁLFHLEKKUR 3/8"

TVÖFÖLD TSUBAKI  
TVÖFALDUR TSUBAKI  
TVÖFALDUR TSUBAKI



## Keðja 1/2"

111 RS-08-B1  
111 RS-08-B1-CL  
111 RS-08-B1-POL

KEÐJA 1/2"  
KEÐJULÁS 1/2"  
HÁLFHLEKKUR 1/2"

EINFÖLD TSUBAKI  
EINFALDUR TSUBAKI  
EINFALDUR TSUBAKI



110 RS-08-B1  
110 RS-08-B1-CL  
110 RS-08-B1-POL

KEÐJA 1/2"  
KEÐJULÁS 1/2"  
HÁLFHLEKKUR 1/2"

EINFÖLD FENNER  
EINFALDUR FENNER  
EINFALDUR FENNER



111 RS-08-B2  
111 RS-08-B2-CL  
111 RS-08-B2-POL

KEÐJA 1/2"  
KEÐJULÁS 1/2"  
HÁLFHLEKKUR 1/2"

TVÖFÖLD TSUBAKI  
TVÖFALDUR TSUBAKI  
TVÖFALDUR TSUBAKI



110 RS-08-B2  
110 RS-08-B2-CL  
110 RS-08-B2-POL

KEÐJA 1/2"  
KEÐJULÁS 1/2"  
HÁLFHLEKKUR 1/2"

TVÖFÖLD FENNER  
TVÖFALDUR FENNER  
TVÖFALDUR FENNER



111 REGINA-08-B3  
111 REGINA-08-B3-CL  
111 REGINA-08-B3-POL

KEÐJA 1/2"  
KEÐJULÁS 1/2"  
HÁLFHLEKKUR 1/2"

ÞREFÖLD REGINA  
ÞREFALDUR REGINA  
ÞREFÖLD REGINA



## Keðja 5/8"

111 RS-10-B1  
111 RS-10-B1-CL  
111 RS-10-B1-POL

KEÐJA 5/8"  
KEÐJULÁS 5/8"  
HÁLFHLEKKUR 5/8"

EINFÖLD TSUBAKI  
EINFALDUR TSUBAKI  
EINFALDUR TSUBAKI



110 RS-10-B1  
110 RS-10-B1-CL  
110 RS-10-B1-POL

KEÐJA 5/8"  
KEÐJULÁS 5/8"  
HÁLFHLEKKUR 5/8"

EINFÖLD FENNER  
EINFALDUR FENNER  
EINFALDUR FENNER



111 RS-10-B2  
111 RS-10-B2-CL  
111 RS-10-B2-POL

KEÐJA 5/8"  
KEÐJULÁS 5/8"  
HÁLFHLEKKUR 5/8"

TVÖFÖLD TSUBAKI  
TVÖFALDUR TSUBAKI  
TVÖFALDUR TSUBAKI



110 RS-10-B2  
110 RS-10-B2-CL  
110 RS-10-B2-POL

KEÐJA 5/8"  
KEÐJULÁS 5/8"  
HÁLFHLEKKUR 5/8"

TVÖFÖLD FENNER  
TVÖFALDUR FENNER  
TVÖFALDUR FENNER



## Keðja 3/4"

111 RS-12-B1  
111 RS-12-B1-CL  
111 RS-12-B1-POL

KEÐJA 3/4"  
KEÐJULÁS 3/4"  
HÁLFHLEKKUR 3/4"

EINFÖLD TSUBAKI  
EINFALDUR TSUBAKI  
EINFALDUR TSUBAKI



110 RS-12-B1  
110 RS-12-B1-CL  
110 RS-12-B1-POL

KEÐJA 3/4"  
KEÐJULÁS 3/4"  
HÁLFHLEKKUR 3/4"

EINFÖLD FENNER  
EINFALDUR FENNER  
EINFALDUR FENNER



111 RS-12-B2  
111 RS-12-B2-CL  
111 RS-12-B2-POL

KEÐJA 3/4"  
KEÐJULÁS 3/4"  
HÁLFHLEKKUR 3/4"

TVÖFÖLD TSUBAKI  
TVÖFALDUR TSUBAKI  
TVÖFALDUR TSUBAKI



110 RS-12-B2  
110 RS-12-B2-CL  
110 RS-12-B2-POL

KEÐJA 3/4"  
KEÐJULÁS 3/4"  
HÁLFHLEKKUR 3/4"

TVÖFÖLD FENNER  
TVÖFALDUR FENNER  
TVÖFALDUR FENNER



111 REGINA-12-B2-POL

HÁLFHLEKKUR 3/4"

TVÖFALDUR REGINA

111 RS-12-B3  
111 RS-12-B3-CL

KEÐJA 3/4"  
KEÐJULÁS 3/4"

ÞREFÖLD TSUBAKI  
ÞREFALDUR TSUBAKI



111 REGINA-12-B3-POL

HÁLFHLEKKUR 3/4"

ÞREFALDUR REGINA



## Keðja 1"

111 RS-16-B1  
111 RS-16-B1-CL  
111 RS-16-B1-POL

KEÐJA 1"  
KEÐJULÁS 1"  
HÁLFHLEKKUR 1"

EINFÖLD TSUBAKI  
EINFALDUR TSUBAKI  
EINFALDUR TSUBAKI



110 RS-16-B1  
110 RS-16-B1-CL  
110 RS-16-B1-POL

KEÐJA 1"  
KEÐJULÁS 1"  
HÁLFHLEKKUR 1"

EINFÖLD FENNER  
EINFALDUR FENNER  
EINFALDUR FENNER



111 RS-16-B2  
111 RS-16-B2-CL  
111 RS-16-B2-POL

KEÐJA 1"  
KEÐJULÁS 1"  
HÁLFHLEKKUR 1"

TVÖFÖLD TSUBAKI  
TVÖFALDUR TSUBAKI  
TVÖFALDUR TSUBAKI



110 RS-16-B2  
110 RS-16-B2-CL  
110 RS-16-B2-POL

KEÐJA 1"  
KEÐJULÁS 1"  
HÁLFHLEKKUR 1"

TVÖFÖLD FENNER  
TVÖFALDUR FENNER  
TVÖFALDUR FENNER



111 REGINA-16-B2  
111 REGINA-16-B2-CL  
111 REGINA-16-B2-POL

KEÐJA 1"  
KEÐJULÁS 1"  
HÁLFHLEKKUR 1"

TVÖFÖLD ÓDÝRARI GERÐ  
TVÖFALDUR CHIRAVALLI  
TVÖFALDUR CHIRAVALLI



111 RS-16-B3  
111 RS-16-B3-CL  
111 RS-16-B3-POL

KEÐJA 1"  
KEÐJULÁS 1"  
HÁLFHLEKKUR 1"

ÞREFÖLD TSUBAKI  
ÞREFALDUR TSUBAKI  
ÞREFALDUR TSUBAKI



111 REGINA-16-B3-CL

KEÐJULÁS 1"

ÞREFALDUR CHIRAVALLI



## Keðja 1.1/4"

111 RS-20-B1  
111 RS-20-B1-CL  
111 RS-20-B1-POL

KEÐJA 1.1/4"  
KEÐJULÁS 1.1/4"  
HÁLFHLEKKUR 1.1/4"

EINFÖLD TSUBAKI  
EINFALDUR TSUBAKI  
EINFALDUR TSUBAKI



111 RS-20-B2  
111 RS-20-B2-CL

KEÐJA 1.1/4"  
KEÐJULÁS 1.1/4"

TVÖFÖLD TSUBAKI  
TVÖFALDUR TSUBAKI



111 RS-20-B3  
111 RS-20-B3-CL  
111 RS-20-B3-POL

KEÐJA 1.1/4"  
KEÐJULÁS 1.1/4"  
HÁLFHLEKKUR 1.1/4"

ÞREFÖLD TSUBAKI  
ÞREFALDUR TSUBAKI  
ÞREFALDUR TSUBAKI



## Keðja 1.1/2"

111 RS-24-B1  
111 RS-24-B1-CL  
111 RS-24-B1-POL

KEÐJA 1.1/2"  
KEÐJULÁS 1.1/2"  
HÁLFHLEKKUR 1.1/2"

EINFÖLD TSUBAKI  
EINFALDUR TSUBAKI  
EINFALDUR TSUBAKI



111 REGINA-24-B1-CL

KEÐJULÁS 1.1/2"

EINFALDUR REGINA

111 RS-24-B2  
111 RS-24-B2-CL

KEÐJA 1.1/2"  
KEÐJULÁS 1.1/2"

TVÖFÖLD TSUBAKI  
TVÖFALDUR TSUBAKI



111 REGINA-24-B2

KEÐJA 1.1/2"

TVÖFÖLD REGINA

## Keðja 2"

111 RS-32-B1  
111 RS-32-B1-CL  
111 RS-32-B1-POL

KEÐJA 2"  
KEÐJULÁS 2"  
HÁLFHLEKKUR 2"

EINFÖLD TSUBAKI  
EINFALDUR TSUBAKI  
EINFALDUR TSUBAKI



111 RS-32-B2  
111 RS-32-B2-CL

KEÐJA 2"  
KEÐJULÁS 2"

TVÖFÖLD TSUBAKI  
TVÖFALDUR TSUBAKI



111 RS-06-B1-NP  
111 RS-06-B1-NP-CL

## Keðja 3/8" Nikkelhúðuð.

KEÐJA 3/8"  
KEÐJULÁS 3/8" EINFÖLD NIKKELHÚÐUÐ  
EINFALDUR NIKKELHÚÐAÐUR



111 RS-08-B1-NP  
111 RS-08-B1-NP-CL

## Keðja 1/2" Nikkelhúðuð.

KEÐJA 1/2"  
KEÐJULÁS 1/2" EINFÖLD NIKKELHÚÐUÐ  
EINFALDUR NIKKELHÚÐAÐUR



111 RS-12-B1-NP  
111 RS-12-B1-NP-CL  
111 RS-12-B1-NP-POL

## Keðja 3/4" Nikkelhúðuð.

KEÐJA 3/4"  
KEÐJULÁS 3/4"  
HÁLFHLEKKUR 3/4" EINFÖLD NIKKELHÚÐUÐ  
EINFALDUR NIKKELHÚÐAÐUR  
EINFALDUR NIKKELHÚÐAÐUR

111 RS-16-B1-NP  
111 RS-16-B1-NP-CL

## Keðja 1" Nikkelhúðuð.

KEÐJA 1"  
KEÐJULÁS 1" EINFALDUR NIKKELHÚÐUÐ  
EINFALDUR NIKKELHÚÐAÐUR



111 RS-06-B1-SS  
111 RS-06-B1-SS-CL  
111 RS-06-B1-SS-POL

## Keðja 3/8" Ryðfrí

KEÐJA 3/8"  
KEÐJULÁS 3/8"  
HÁLFHLEKKUR 3/8" RYÐFRÍ EINFÖLD  
RYÐFRÍR EINFALDUR  
RYÐFRÍR EINFALDUR



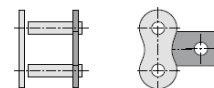
111 RS-08-B1-SS  
111 RS-08-B1-SS-CL  
111 RS-08-B1-SS-POL

## Keðja 1/2" Ryðfrí

KEÐJA 1/2"  
KEÐJULÁS 1/2"  
HÁLFHLEKKUR 1/2" RYÐFRÍ EINFÖLD  
RYÐFRÍR EINFALDUR  
RYÐFRÍR EINFALDUR

111 RS-08-B1-SS-SA-1

KEÐJA 1/2" RYÐFRÍ MEÐ FESTISPJALDI SA-1



111 RS-10-B1-SS  
111 RS-10-B1-SS-CL  
111 RS-10-B1-SS-POL

## Keðja 5/8" Ryðfrí

KEÐJA 5/8"  
KEÐJULÁS 5/8"  
HÁLFHLEKKUR 5/8" RYÐFRÍ EINFÖLD  
RYÐFRÍR EINFALDUR  
RYÐFRÍR EINFALDUR



111 RS-12-B1-SS  
111 RS-12-B1-SS-CL  
111 RS-12-B1-SS-POL

## Keðja 3/4" Ryðfrí

KEÐJA 3/4"  
KEÐJULÁS 3/4"  
HÁLFHLEKKUR 3/4" EINFÖLD RYÐFRÍ  
EINFALDUR RYÐFRÍR  
EINFALDUR RYÐFRÍR

111 RS-12-B-SA-1 SS

KEÐJUHLEKKUR 3/4" SA-1 PLATA BEINN RYÐFRÍR SA-1



111 RS-20-B1-SS  
111 RS-20-B1-SS-CL

KEÐJA 1.1/4"  
KEÐJULÁS 1.1/2" EINFÖLD RYÐFRÍ  
EINFÖLDUR RYÐFRÍR

111 RS-08-B1-NEP  
 111 RS-08-B1-NEP-CL  
 111 RS-08-B1-NEP-OL

## Keðja 1/2" Grá húðuð og bökuð.

KEÐJA 1/2"  
 KEÐJULÁS 1/2"  
 HÁLFHLEKKUR 1/2"

EINFÖLD NEP HÚÐUÐ GRÁ  
 EINFALDUR NEP HÚÐAÐUR GRÁR  
 EINFALDUR NEP HÚÐAÐUR GRÁR



111 RS-08-B2-NEP  
 111 RS-08-B2-NEP-CL  
 111 RS-08-B2-NEP-POL

KEÐJA 1/2"  
 KEÐJULÁS 1/2"  
 HÁLFHLEKKUR 1/2"

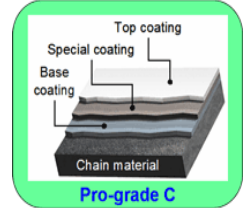
TVÖFÖLD NEP HÚÐUÐ GRÁ  
 TVÖFALDUR NEP HÚÐAÐUR GRÁR  
 TVÖFALDUR NEP HÚÐAÐUR GRÁR

## Keðja 5/8" Grá húðuð og bökuð.

111 RS-10-B1-NEP  
 111 RS-10-B1-NEP-CL  
 111 RS-10-B1-NEP-OL

KEÐJA 5/8"  
 KEÐJULÁS 5/8"  
 HÁLFHLEKKUR 5/8"

EINFÖLD NEP HÚÐUÐ GRÁ  
 EINFALDUR NEP HÚÐAÐUR GRÁR  
 EINFALDUR NEP HÚÐAÐUR GRÁR

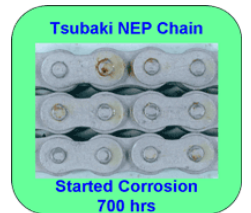


## Keðja 3/4" Grá húðuð og bökuð.

111 RS-12-B1-NEP  
 111 RS-12-B1-NEP-CL  
 111 RS-12-B1-NEP-OL

KEÐJA 3/4"  
 KEÐJULÁS 3/4"  
 HÁLFHLEKKUR 3/4"

EINFÖLD NEP HÚÐUÐ GRÁ  
 EINFALDUR NEP HÚÐAÐUR GRÁR  
 EINFALDUR NEP HÚÐAÐUR GRÁR



111 RS-12-B2-NEP  
 111 RS-12-B2-NEP-CL  
 111 RS-12-B2-NEP-POL

KEÐJA 3/4"  
 KEÐJULÁS 3/4"  
 HÁLFHLEKKUR 3/4"

TVÖFÖLD NEP HÚÐUÐ GRÁ  
 TVÖFALDUR NEP HÚÐAÐUR GRÁR  
 TVÖFALDUR NEP HÚÐAÐUR GRÁR

## Keðja 1" Grá húðuð og bökuð.

111 RS-16-B1-NEP  
 111 RS-16-B1-NEP-CL  
 111 RS-16-B1-NEP-OL

KEÐJA 1"  
 KEÐJULÁS 1"  
 HÁLFHLEKKUR 1"

EINFÖLD NEP HÚÐUÐ GRÁ  
 EINFALDUR NEP HÚÐAÐUR GRÁR  
 EINFALDUR NEP HÚÐAÐUR GRÁR



111 RS-16-B2-NEP  
 111 RS-16-B2-NEP-CP  
 111 RS-16-B2-NEP-POL

KEÐJA 1"  
 KEÐJULÁS 1"  
 HÁLFHLEKKUR 1"

TVÖFÖLD NEP HÚÐUÐ GRÁ  
 TVÖFALDUR NEP HÚÐAÐUR GRÁR  
 TVÖFALDUR NEP HÚÐAÐUR GRÁR

### N.E.P. Chain

### The best performance 'Component by Component'

Through Tsubaki's research & development program we are able to design & manufacture a roller chain that combines the best performance.

#### Link Plates, Bushes & Bearing Pins

These components have a special, substantial coating applied in order to provide the maximum protection from the operating process or environmental conditions, giving SUPERIOR CORROSION RESISTANCE over other processes and manufacturers.



#### Rollers

In real time operation, roller contact with the sprocket is the major cause of wear for any forms of protective surface coatings and is therefore a significant contributory factor to accelerating corrosion of the outer surface of the roller.



#### Competitor's chain at 100 hours

White rust starts to appear around the pin of the competitor's chain, affecting clearance between components.



#### RESULT....

Even after 700 hours Tsubaki N.E.P. chain continued to perform whilst other manufacturer's corrosion resistant chains had either failed or were at an advanced stage of corrosion.



## Amerísk keðja standard DIN 8188

111 ANSI60-12-B1  
111 ANSI60-12-B1-CL  
111 ANSI60-12-B1-POL

KEDJA 3/4"  
KEDJULÁS 3/4"  
HÁLFHLEKKUR 3/4"

EINFÖLD ANSI 60-1  
EINFALDUR ANSI 60-1  
EINFALDUR ANSI 60-1

111 ANSI60-12-B2  
111 ANSI60-12-B2-CL

KEDJA 3/4"  
KEDJULÁS 3/4"

TVÖFÖLD ANSI 60-2  
TVÖFALDUR ANSI 60-2

111 ANSI80-16-B1  
111 ANSI80-16-B1-CL

KEDJA 1"  
KEDJULÁS 1"

EINFÖLD ANSI 80-1  
EINFALDUR ANSI 80-1

111 ANSI80-16-B2  
111 ANSI80-16-B2-CL

KEDJA 1"  
KEDJULÁS 1"

TVÖFÖLD ANSI 80-2  
TVÖFALDUR ANSI 80-2



## Blaðkeðjur

111 AL544-5/8  
111 AL544-5/8-PINNI

BLAÐKEDJA  
BLAÐKEDJUPINNI

AL544 5/8"  
AL544 5/8"

111 BL534-5/8  
111 BL534-5/8-LAS  
111 BL534-5/8-PINNI

BLAÐKEDJA  
BLAÐKEDJULÁS  
BLAÐKEDJUPINNI

BL534 5/8"  
BL534 5/8"  
BL534 5/8"



111 BL546-5/8  
111 BL546-5/8-LAS  
111 BL546-5/8-PINNI

BLAÐKEDJA  
BLAÐKEDJULÁS  
BLAÐKEDJUPINNI

BL546 5/8"  
BL546 5/8"  
BL546 5/8"



111 BL634-3/4  
111 BL634-3/4-LAS  
111 BL634-3/4-PINNI

BLAÐKEDJA  
BLAÐKEDJULÁS  
BLAÐKEDJUPINNI

BL634 3/4"  
BL634 3/4"  
BL634 3/4"

111 BL834-1  
111 BL834-1-LAS  
111 BL834-1-PINNI

BLAÐKEDJA  
BLAÐKEDJULÁS  
BLAÐKEDJUPINNI

BL834 1"  
BL834 1"  
BL834 1"

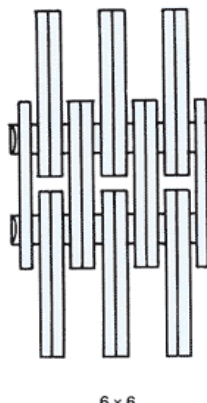
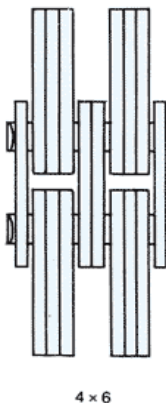
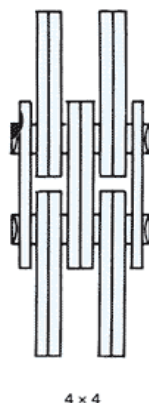
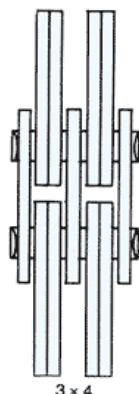
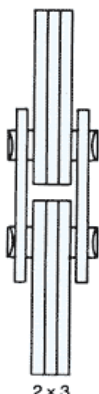
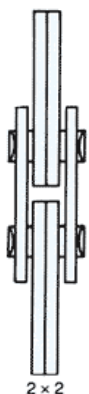


## Blaðkeðjur Water proof

111 BL534-5/8-WP  
111 BL534-5/8-WP-LAS

BLAÐKEDJA  
BLAÐKEDJULÁS

BL534 5/8" WP  
BL534 5/8" WP



# Keðjutangir og Mælistokkur

111 CB-1  
111 CB-1-TIP  
111 CB-2  
111 CS-C2

KEDJUTÖNG 1/4"X3/4"  
PINNI Í CB-1 TÖNG  
KEDJUTÖNG 3/4"X1.1/4"  
KEDJUTÖNG 1.1/2"X1.3/4"



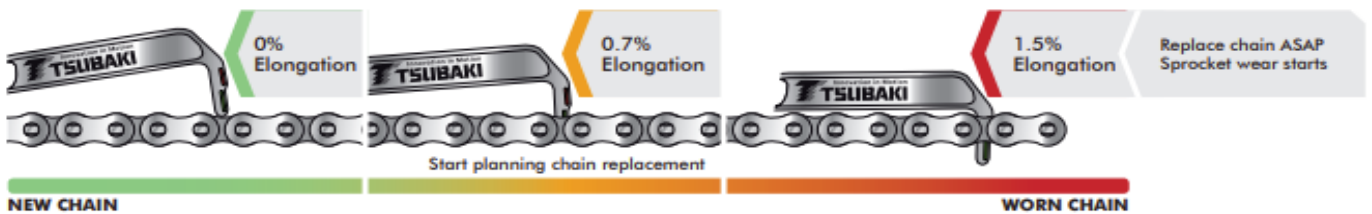
111 CWG1

MÆLISTOKKUR F/ KEDJUSLIT



111 2017031680

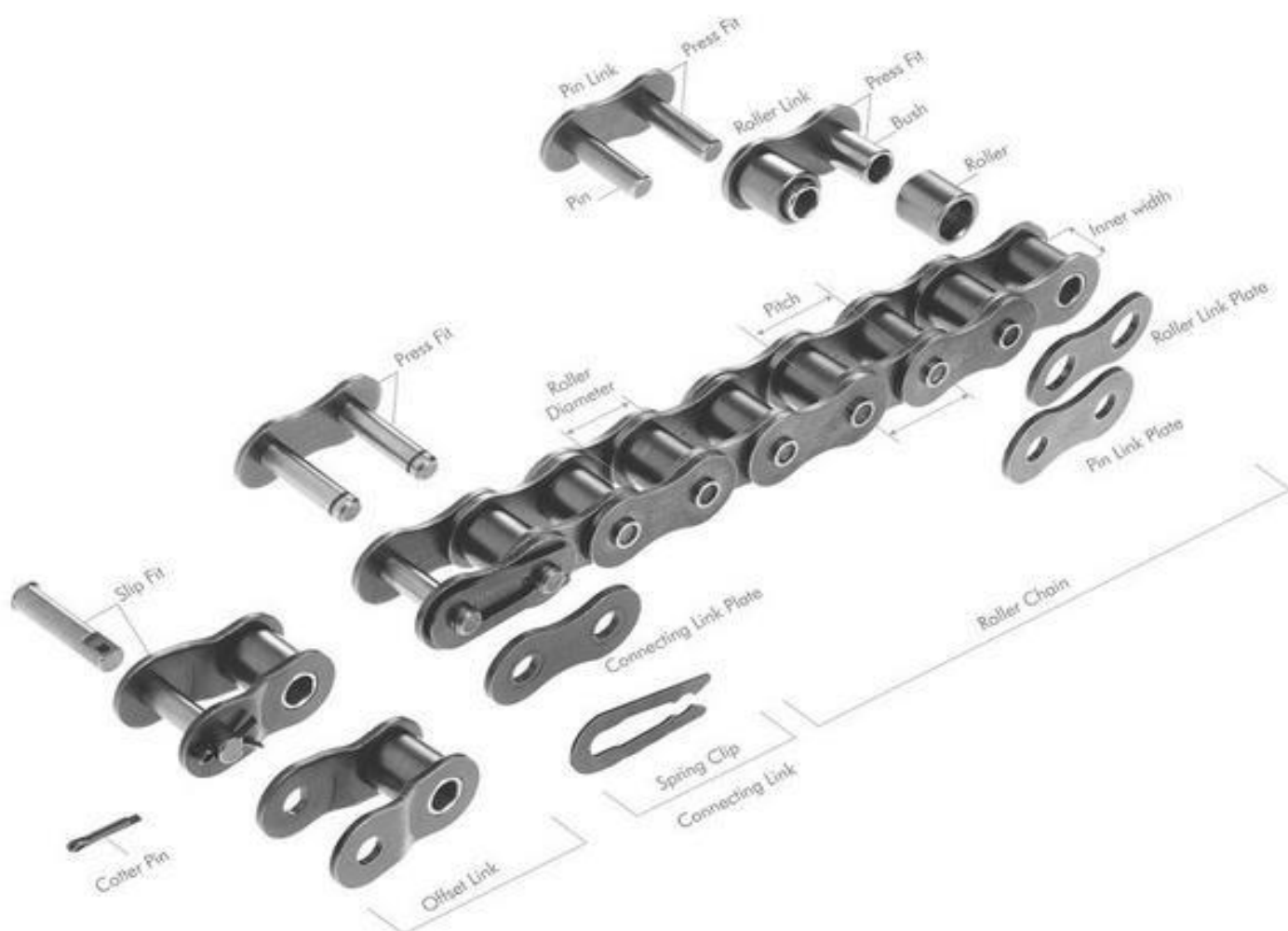
KEDJUSLITSMÆLIR SETT FYRIR KEDJUR RS08 - RS16



CONTENT

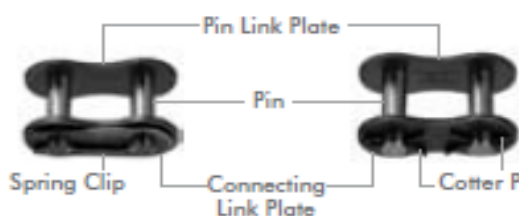




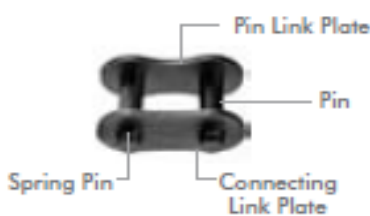


**Connecting Links**

**Spring Clip Connecting Link**

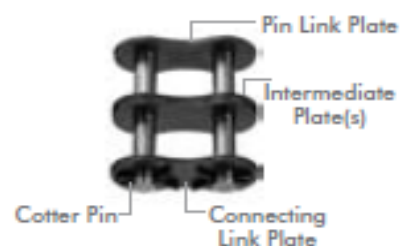


**Cotter Pin Connecting Link**



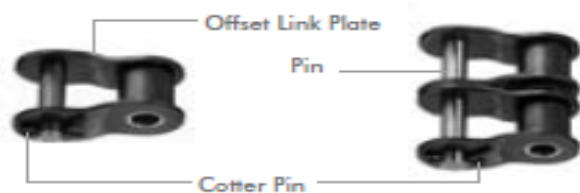
**Spring Pin Connecting Link**

**Cotter Pin Connecting Link Multi-Strand (2-strand shown)**



**ONE Pitch Offset Links (OL)**

**Single Strand**



**Multi-strand (2-strand shown)**

**TWO Pitch Offset Links (2POL)**

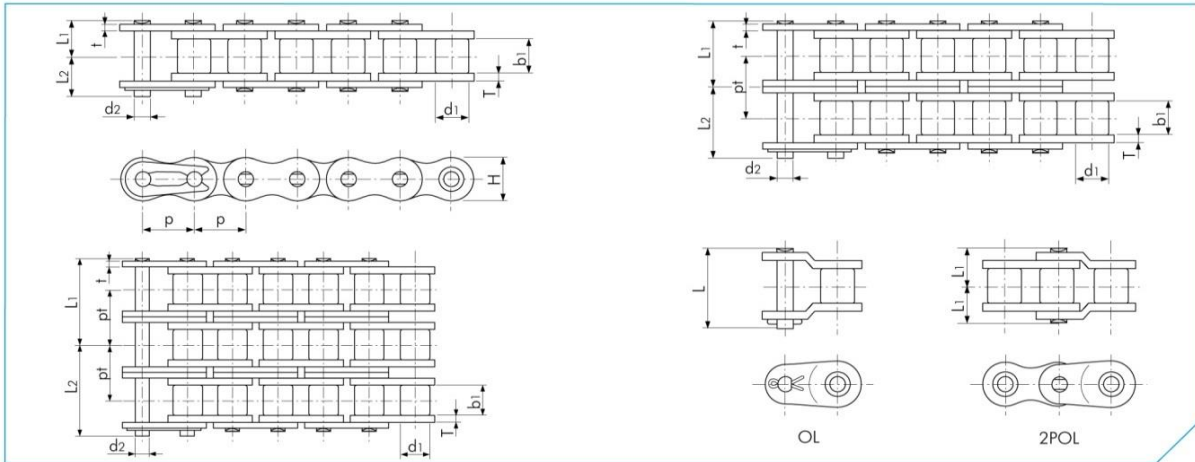
**Single Strand**



**Multi-strand (2-strand shown)**



# BS RUNNER STANDARD ROLLER CHAIN



## BS Runner

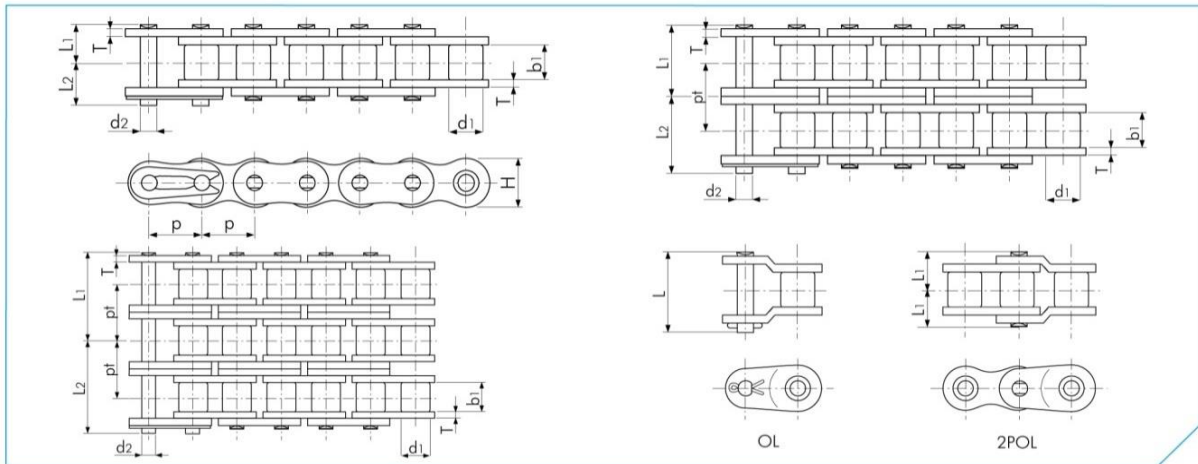
Dimensions in mm

TSUBAKI Chain No.	Pitch p	Roller Diameter d1	Inner Width b1	Pin			Link Plate			Transverse Pitch pt	Min. Tensile Strength acc. to ISO 606 kN	Min. Tensile Strength acc. to Tsubaki kN	Av. Tensile Strength acc. to Tsubaki kN	Approx. Mass kg/m	
				Diameter d2	Length L1	Length L2	Length L	Thickness T	Thickness t						Height H (max)
RS05B-1					3.80	4.70	-				-	4.4	5.0	5.8	0.18
RS05B-2	8.00 (0.315")	5.00	3.00	2.30	6.65	7.52	-	0.75	0.75	7.10	5.64	7.8	7.8	8.9	0.35
RS05B-3					9.45	10.34	-				5.64	11.1	11.2	12.8	0.53
RF06B-1					6.10	7.70	14.20				-	8.9	9.0	9.9	0.39
RF06B-2	9.525 (3/8")	6.35	5.72	3.27	11.43	12.57	-	1.30	1.00	8.20	10.24	16.9	17.0	18.7	0.75
RF06B-3					16.90	17.50	-				10.24	24.9	24.9	27.4	1.11
RS08B-1					8.40	10.00	18.40				-	17.8	19.0	20.9	0.70
RS08B-2	12.70 (1/2")	8.51	7.75	4.45	15.30	16.90	33.60	1.60	1.60	12.00	13.92	31.1	32.0	35.2	1.35
RS08B-3					22.25	23.85	47.60				13.92	44.5	47.5	52.3	2.00
RS10B-1					9.55	11.25	21.10				-	22.2	23.0	25.3	0.95
RS10B-2	15.875 (5/8")	10.16	9.65	5.08	17.85	19.55	39.40	1.50	1.50	14.70	16.59	44.5	44.5	49.0	1.85
RS10B-3					26.15	27.85	56.10				16.59	66.6	66.6	73.5	2.80
RS12B-1					11.10	13.00	24.80				-	28.9	31.0	34.1	1.25
RS12B-2	19.05 (3/4")	12.07	11.68	5.72	20.85	22.75	46.30	1.80	1.80	16.10	19.46	57.8	61.0	67.1	2.50
RS12B-3					30.60	32.50	66.00				19.46	86.7	92.0	101.0	3.80
RS16B-1					17.75	19.95	38.90				60.0	70.0	77.0	2.70	
RS16B-2	25.40 (1")	15.88	17.02	8.28	33.55	35.75	73.80	4.00	3.20	21.00	31.88	106.0	128.0	141.0	5.40
RS16B-3					49.50	51.70	105.90				31.88	160.0	192.0	211.0	8.00
RS20B-1					19.90	23.10	46.95				-	95.0	98.1	108.0	3.85
RS20B-2	31.75 (1 1/4")	19.05	19.56	10.19	38.25	41.45	84.85	4.40	3.40	26.00	36.45	170.0	197.0	217.0	7.65
RS20B-3					56.50	59.70	121.35				36.45	250.0	295.0	325.0	11.45
RS24B-1					26.65	31.85	62.00	6.00	5.60	33.40	-	160.0	167.0	184.0	7.45
RS24B-H-1	38.10 (1 1/2")	25.40	25.40	14.63	29.30	34.20	-	7.50	6.00	36.20	-	-	234.0	270.0	8.20
RS24B-2					50.80	56.00	112.95				48.36	280.0	335.0	369.0	14.65
RS24B-3					75.10	80.20	161.35	6.00	5.60	33.40	48.36	425.0	500.0	550.0	21.75
RS28B-1					32.45	37.45	74.50				-	200.0	200.0	220.0	9.45
RS28B-2	44.45 (1 3/4")	27.94	30.99	15.90	62.15	67.15	136.85	7.50	6.30	36.40	59.56	360.0	374.0	411.0	18.80
RS28B-3					91.95	96.95	196.45				59.56	530.0	560.0	616.0	28.20
RS32B-1					32.10	37.70	73.50				-	250.0	255.0	281.0	10.25
RS32B-2	50.80 (2")	29.21	30.99	17.81	61.25	66.85	135.25	7.00	6.30	42.20	58.55	450.0	485.0	534.0	21.10
RS32B-3					90.50	96.10	193.80				58.55	670.0	729.0	802.0	29.90
RS40B-1					39.25	45.05	88.85				-	355.0	373.0	410.0	16.35
RS40B-2	63.50 (2 1/2")	39.37	38.10	22.89	75.40	81.20	163.55	8.50	8.00	52.90	72.29	630.0	716.0	788.0	32.00
RS40B-3					111.50	117.30	235.85				72.29	950.0	1080.0	1190.0	47.75
RS48B-1					49.30	58.80	117.70				-	560.0	565.0	618.0	25.00
RS48B-2	76.20 (3")	48.26	45.72	29.23	95.00	104.40	209.00	12.10	10.00	63.80	91.21	1000.0	1000.0	1150.0	50.00
RS48B-3					140.60	150.00	300.20				91.21	1500.0	1520.0	1750.0	75.00

**Note:**

1. Connecting links are clip type for sizes up to RS16B, and cotter type for sizes RS20B to RS48B.
2. RF06B chain has flat-shaped link plates.
3. Intermediate plate of multi strand RF06B-2 and RS08B-2 chain is a solid plate.
4. Center sink riveting is applied to RS08B-1 to RS16B-1 single strand chain.
5. Double stake riveting is applied to all other sizes including multi-strand chain.
6. When a single pitch offset link is used, please calculate a 35% reduction of the fatigue strength.
7. RS24B-H-1 chain is a reinforced RS24B-1 chain.

# ANSI G7 STANDARD ROLLER CHAIN



## ANSI G7

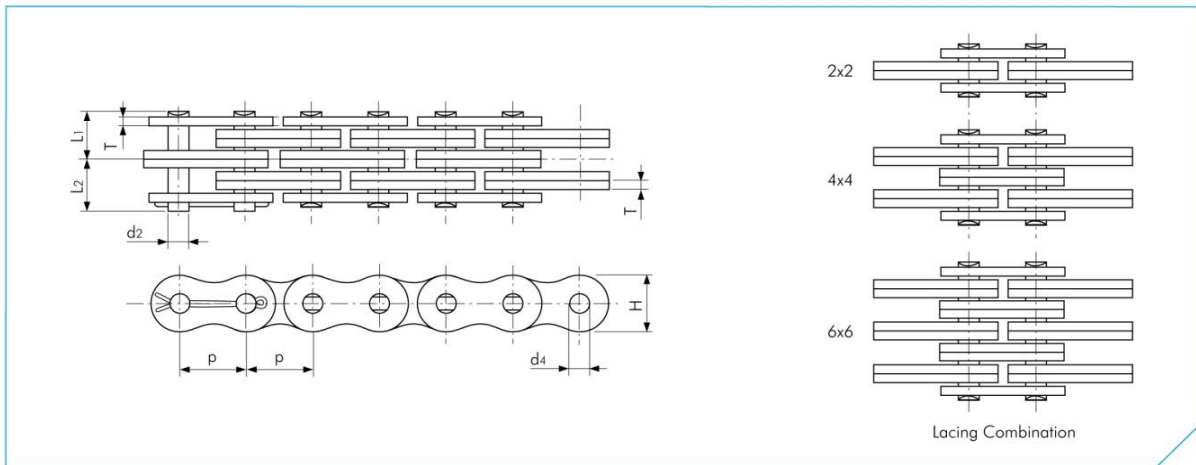
Dimensions in mm

TSUBAKI Chain No.	Pitch p	Roller Diameter d1	Inner Width b1	Diameter d2	Pin			Link Plate		Transverse Pitch pt	Min. Tensile Strength acc. to ANSI kN	Min. Tensile Strength acc. to Tsubaki kN	Approx. Mass kg/m	
					Length L1	Length L2	Length L	Thickness T	Height H (max)					
RS25-1	6.35 (1/4")	3.30	3.18	2.31	3.80	4.50	-	0.74	5.84	-	3.6	4.1	0.14	
RS25-2					6.95	7.75	-			6.40	7.2	8.2	0.27	
RS25-3					10.15	10.95	-			6.40	10.8	12.4	0.42	
RS35-1	9.525 (3/8")	5.08	4.78	3.59	5.85	6.85	13.50	1.25	9.00	-	8.7	9.8	0.33	
RS35-2					10.90	11.90	24.50			10.10	17.4	19.6	0.69	
RS35-3					16.00	16.90	34.60			10.10	26.1	29.4	1.05	
RS35-4	12.70 (1/2")	7.80	3.40	3.63	21.05	21.95	44.70	1.00	9.80	10.10	-	39.2	1.41	
RS37-1					5.10	5.90	12.45			-	-	8.1	0.29	
RS38-1					6.00	7.10	14.10			1.10	9.80	-	8.1	0.35
RS41-1					7.77	6.38	3.59			6.75	7.95	15.10	1.25	9.80
RS40-1	12.70 (1/2")	7.92	7.95	3.97	8.25	9.95	17.90	1.50	12.00	-	15.2	17.7	0.64	
RS40-2					15.45	17.15	33.50			14.40	30.4	35.3	1.27	
RS40-3					22.65	24.15	47.90			14.40	45.6	53.0	1.90	
RS40-4					29.90	31.30	62.30			14.40	-	70.6	2.53	
RS50-1	15.875 (5/8")	10.16	9.53	5.09	10.30	11.90	22.50	2.00	15.00	-	24.0	28.4	1.04	
RS50-2					19.35	21.15	41.80			18.10	48.0	56.9	2.07	
RS50-3					28.40	30.20	59.90			18.10	72.0	85.3	3.09	
RS50-4					37.45	39.25	78.10			18.10	-	114.0	4.11	
RS60-1	19.05 (3/4")	11.91	12.70	5.96	12.85	14.75	28.20	2.40	18.10	-	34.2	40.2	1.53	
RS60-2					24.25	26.25	52.60			22.80	68.4	80.4	3.04	
RS60-3					35.65	38.15	75.50			22.80	102.6	121.0	4.54	
RS60-4					47.05	49.55	98.30			22.80	-	161.0	6.04	
RS80-1	25.40 (1")	15.88	15.88	7.94	16.25	19.25	36.60	3.20	24.10	-	61.2	71.6	2.66	
RS80-2					30.90	33.90	67.50			29.30	122.4	143.0	5.27	
RS80-3					45.60	48.50	96.90			29.30	183.6	215.0	7.89	
RS80-4					60.25	63.25	126.30			29.30	-	286.0	10.50	
RS100-1	31.75 (1 1/4")	19.05	19.05	9.54	19.75	22.85	43.70	4.00	30.10	-	95.4	107.0	3.99	
RS100-2					37.70	40.85	81.50			35.80	190.8	214.0	7.85	
RS100-3					55.65	58.75	117.30			35.80	286.2	321.0	11.77	
RS100-4					73.55	76.65	153.10			35.80	-	428.0	15.70	
RS120-1	38.10 (1 1/2")	22.23	25.40	11.11	24.90	28.90	55.00	4.80	36.20	-	137.1	148.0	5.93	
RS120-2					47.60	51.60	103.20			45.40	274.2	296.0	11.70	
RS120-3					70.40	74.40	148.60			45.40	411.3	444.0	17.53	
RS120-4					93.10	97.10	194.00			45.40	-	592.0	23.36	
RS140-1	44.45 (1 3/4")	25.40	25.40	12.71	26.90	31.70	59.50	5.60	42.20	-	185.9	193.0	7.49	
RS140-2					51.35	56.15	112.30			48.90	371.8	386.0	14.83	
RS140-3					75.85	80.75	161.30			48.90	557.7	580.0	22.20	
RS160-1					31.85	36.85	70.20			64.0	244.6	255.0	10.10	
RS160-2	50.80 (2")	28.58	31.75	14.29	61.15	66.15	132.20	6.40	48.20	58.50	489.2	510.0	20.04	
RS160-3					90.45	95.45	190.70			58.50	733.8	765.0	30.02	
RS180-1					35.65	42.45	80.60			-	308.2	336.0	13.45	
RS180-2	57.15 (2 1/4")	35.71	35.72	17.46	68.75	75.35	151.10	7.15	54.20	65.80	616.4	673.0	26.52	
RS180-3					101.70	108.50	216.90			65.80	924.6	1010.0	38.22	
RS200-1					39.00	44.80	87.30			-	381.7	427.0	16.49	
RS200-2	63.50 (2 1/2")	39.68	38.10	19.85	74.85	80.65	161.20	8.00	60.30	71.60	763.4	853.0	32.63	
RS200-3					110.75	116.45	233.00			71.60	1145.1	1280.0	49.02	
RS240-1					47.90	55.50	106.70			-	550.4	623.0	24.50	
RS240-2	91.90	99.40	198.40	-	87.80	1100.8	1250.0	48.10						

**Note:**

1. RS25 - RS35 are rollerless chain (only bush). The figure shown is the bush diameter.
2. Connecting links are clip type for sizes up to RS60, and cotter type for sizes RS80 to RS200. RS240 connecting links are spring pin type.
3. When a single pitch offset link is used, please calculate a 35% reduction of the fatigue strength.

# ANSI LEAF CHAIN



## AL Type

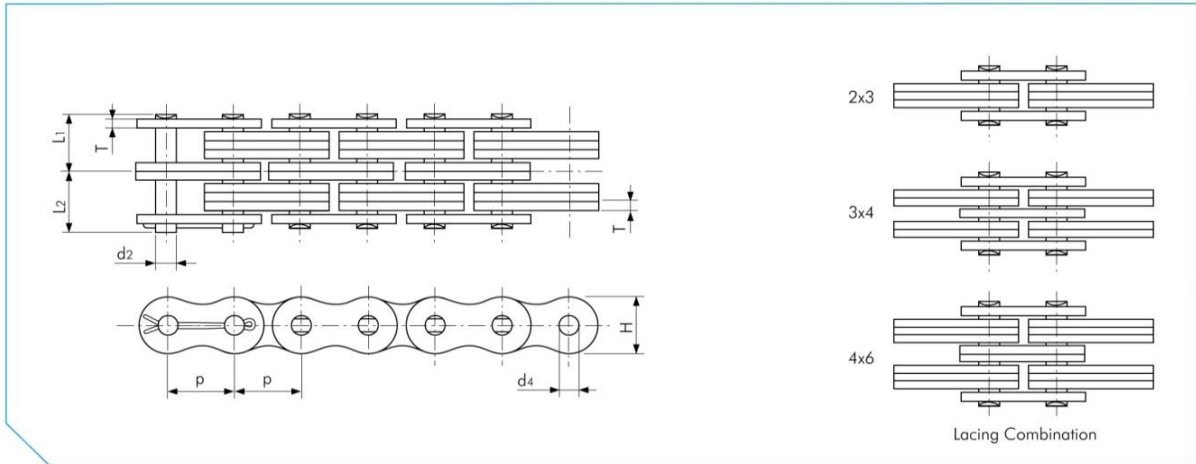
Dimensions in mm

TSUBAKI Chain No.	Pitch p	Lacing Combination LC	Pin			Link Plate			Min. Tensile Strength acc. to Tsubaki kN	Approx. Mass kg/m
			Diameter d2	Length L1	Length L2	Thickness T	Height H (max)	Hole Diameter d4		
AL 422		2 x 2		4.20	5.30				16.7	0.38
AL 444	12.70 (1/2")	4 x 4	3.97	7.43	8.52	1.50	10.40	4.02	33.3	0.74
AL 466		6 x 6		10.65	11.75				50.5	1.10
AL 522		2 x 2		5.43	6.97				27.5	0.62
AL 544	15.875 (5/8")	4 x 4	5.08	9.68	11.22	2.00	13.00	5.13	54.9	1.22
AL 566		6 x 6		13.90	15.45				82.4	1.81
AL 622		2 x 2		6.33	8.22				38.2	0.87
AL 644	19.05 (3/4")	4 x 4	5.94	11.28	13.17	2.40	15.60	6.00	76.5	1.71
AL 666		6 x 6		16.23	18.12				115.0	2.54
AL 822		2 x 2		8.18	10.97				64.7	1.51
AL 844	25.40 (1")	4 x 4	7.90	14.90	17.70	3.20	20.80	7.97	129.0	2.98
AL 866		6 x 6		21.60	24.40				194.0	4.44
AL 1022		2 x 2		10.03	13.22				98.1	2.69
AL 1044	31.75 (1 1/4")	4 x 4	9.48	18.35	21.55	4.00	26.00	9.57	196.0	5.31
AL 1066		6 x 6		26.65	29.85				294.0	7.93
AL 1222		2 x 2		12.10	15.80				141.0	3.57
AL 1244	38.10 (1 1/2")	4 x 4	11.04	22.00	25.70	4.80	31.20	11.14	282.0	7.07
AL 1266		6 x 6		31.93	35.62				424.0	10.56
AL 1444		4 x 4		25.65	30.15				373.0	10.34
AL 1466	44.45 (1 3/4")	6 x 6	12.64	37.28	41.77	5.60	36.40	12.74	559.0	15.16
AL 1644		4 x 4		29.03	34.02				471.0	12.98
AL 1666	50.80 (2")	6 x 6	14.21	42.23	47.22	6.40	41.60	14.32	706.0	19.41

**Note:**

1. For more detailed information regarding clevises and sheaves, please contact Tsubaki.

# ANSI LEAF CHAIN



## BL Type

Dimensions in mm

TSUBAKI Chain No.	Pitch p	Lacing Combination LC	Pin			Link Plate			Min. Tensile Strength acc. to Tsubaki kN	Approx. Mass kg/m
			Diameter d2	Length L1	Length L2	Thickness T	Height H (max)	Hole Diameter d4		
BL 422	12.70 (1/2")	2 x 2	5.08	5.44	6.99	2.00	12.00	5.13	23.5	0.68
BL 423		2 x 3		6.48	8.02				23.5	0.84
BL 434		3 x 4		8.61	10.15				35.3	1.13
BL 444		4 x 4		9.70	11.25				47.1	1.28
BL 446		4 x 6		11.80	13.35				47.1	1.65
BL 466		6 x 6		13.89	15.44				69.4	1.96
BL 522	15.875 (5/8")	2 x 2	5.94	6.32	8.23	2.40	15.00	6.00	39.2	1.07
BL 523		2 x 3		7.55	9.45				39.2	1.27
BL 534		3 x 4		10.05	11.95				58.8	1.69
BL 544		4 x 4		11.28	13.18				78.5	1.89
BL 546		4 x 6		13.75	15.65				78.5	2.40
BL 566		6 x 6		16.23	18.14				117.4	2.80
BL 622	19.05 (3/4")	2 x 2	7.90	8.20	11.02	3.20	18.10	7.97	63.7	1.68
BL 623		2 x 3		9.88	12.67				63.7	2.04
BL 634		3 x 4		13.23	16.02				95.6	2.83
BL 644		4 x 4		14.91	17.70				127.0	3.18
BL 646		4 x 6		18.25	21.05				127.0	4.01
BL 666		6 x 6		21.62	24.41				191.2	4.73
BL 822	25.40 (1")	2 x 2	9.48	10.08	13.28	4.00	24.10	9.57	103.0	2.59
BL 823		2 x 3		12.10	15.30				103.0	3.20
BL 834		3 x 4		16.28	19.47				155.0	4.44
BL 844		4 x 4		18.47	21.67				206.0	5.04
BL 846		4 x 6		22.50	25.70				206.0	6.32
BL 866		6 x 6		26.64	29.85				309.0	7.54
BL 1022	31.75 (1 1/4")	2 x 2	11.04	11.99	15.67	4.80	30.10	11.14	141.0	3.76
BL 1023		2 x 3		14.45	18.15				141.0	4.69
BL 1034		3 x 4		19.43	23.12				216.0	6.55
BL 1044		4 x 4		21.69	25.37				282.0	7.48
BL 1046		4 x 6		26.85	30.55				282.0	9.29
BL 1066		6 x 6		31.93	35.61				424.0	11.16
BL 1222	38.10 (1 1/2")	2 x 2	12.64	14.02	18.54	5.60	36.20	12.74	186.0	4.83
BL 1223		2 x 3		16.95	21.45				186.0	6.54
BL 1234		3 x 4		22.75	27.25				299.0	9.10
BL 1244		4 x 4		25.65	30.18				373.0	10.39
BL 1246		4 x 6		31.48	35.97				373.0	12.01
BL 1266		6 x 6		37.29	41.81				559.0	14.58
BL 1422	44.45 (1 3/4")	2 x 2	14.21	15.82	20.83	6.40	42.20	14.32	235.0	7.31
BL 1423		2 x 3		19.10	24.10				235.0	9.06
BL 1434		3 x 4		25.70	30.70				387.0	11.32
BL 1444		4 x 4		29.03	34.04				471.0	12.96
BL 1446		4 x 6		35.63	40.62				471.0	18.00
BL 1466		6 x 6		42.24	47.24				706.0	22.51
BL 1622	50.80 (2")	2 x 2	17.38	17.81	24.41	7.20	48.20	17.49	353.0	9.84
BL 1623		2 x 3		21.63	28.22				353.0	12.16
BL 1634		3 x 4		29.20	35.80				554.0	16.95
BL 1644		4 x 4		32.94	39.55				706.0	18.97
BL 1646		4 x 6		40.53	47.12				706.0	24.09
BL 1666		6 x 6		48.08	54.69				1060.0	28.73

**Note:**

1. For more detailed information regarding clevises and sheaves, please contact Tsubaki.

# PAKKDÓSIR

Margar gerðir - einfaldar - tvöfaldar.



[www.poulsen.is](http://www.poulsen.is)

**14.4V**

**LINCOLN**

Lincoln PowerLuber 14,4V. Rafhlöðuknúin smursprauta, sú öflugasta á markaðnum.

**Poulsen**  
partur af lífinu

Lincoln sjálfvirk smurkerfi fyrir vörubíla, vinnuvélar og iðnaðartæki.

**Poulsen Skeifan 2**  
Sími: 530 5900  
[www.poulsen.is](http://www.poulsen.is)

# VIBRATORMÓTORAR

