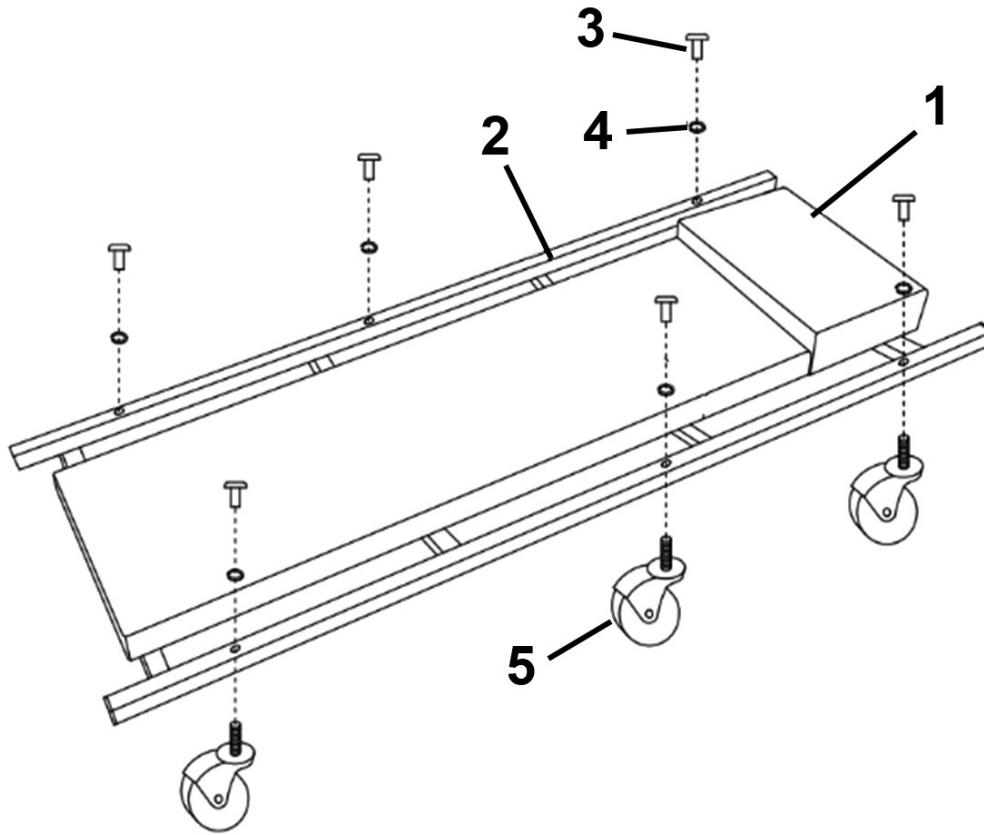




Parts Information:  
**36" Deluxe American-Style Creeper with Steel Frame & 6 Wheels**  
**Model No: SCR75.V3 SERIES**



All parts are interchangeable across the series except of the item numbers shown below

**SCR75.V3**

Item	Part No.	Description
1	SCR75.V3-01	Main Cushion c/w Headrest Cushion (Red/Black)
2	SCR75.V3-02	Main Frame (Red)
3	SCR75.V3-03	Castor Wheel Nut
4	SCR75.V3-04	Spring Washer
5	SCR75.V3-05	Ø63 Castor Wheel (Black)

**SCR75HV**

Item	Part No.	Description
1	SCR75HV.01	Main Cushion c/w Headrest Cushion (Hi-Vis/Black)
2	SCR75HV.02	Main Frame (Hi-Vis)

**SCR75O**

Item	Part No.	Description
1	SCR75O.01	Main Cushion c/w Headrest Cushion (Orange/Black)
2	SCR75O.02	Main Frame (Orange)

**SCR75B**

Item	Part No.	Description
1	SCR75B.01	Main Cushion c/w Headrest Cushion (Blue/Black)
2	SCR75B.02	Main Frame (Blue)

**NOTE:** It is our policy to continually improve products and as such we reserve the right to alter data, specifications and component parts without prior notice. There may be alternative versions of this product, please contact us should you require this information.

**IMPORTANT:** No liability is accepted for incorrect use of product. Spare parts must be fitted by a competent person

**WARRANTY:** Guarantee is 12 months from purchase date, proof of which will be required for any claim.

Sealey Group, Kempson Way, Suffolk Business Park, Bury St Edmunds, Suffolk. IP32 7AR



01284 757500



01284 703534



sales@sealey.co.uk



www.sealey.co.uk