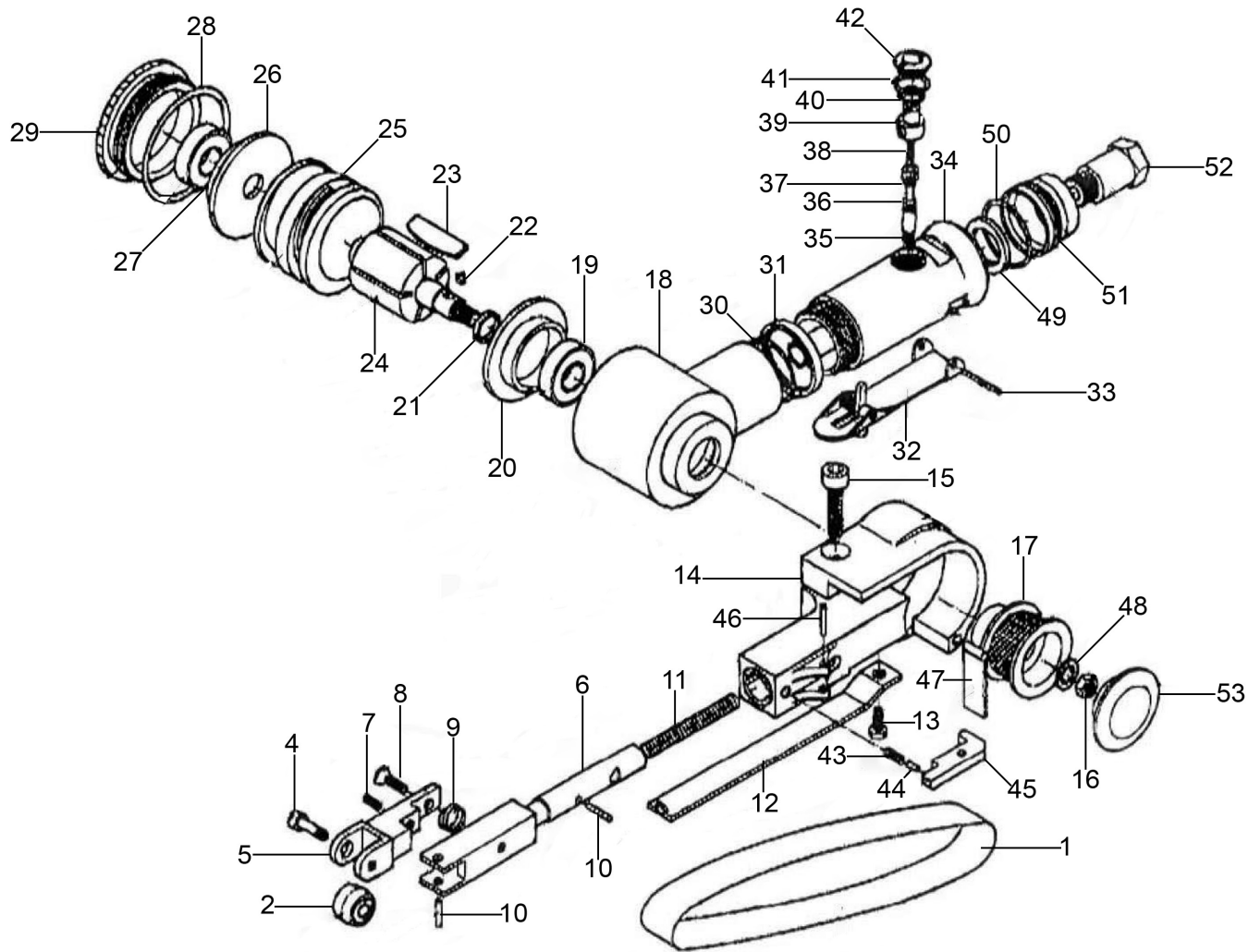




Parts Information:
Air Belt Sander 10 x 330mm
Model No: SA635



NOTE: It is our policy to continually improve products and as such we reserve the right to alter data, specifications and component parts without prior notice.

There may be alternative versions of this product, please contact us should you require this information.

IMPORTANT: No liability is accepted for incorrect use of product. Spare parts must be fitted by a competent person

WARRANTY: Guarantee is 12 months from purchase date, proof of which will be required for any claim.

Sealey Group, Kempson Way, Suffolk Business Park, Bury St Edmunds, Suffolk. IP32 7AR



01284 757500



01284 703534



sales@sealey.co.uk



www.sealey.co.uk



Parts Information:
Air Belt Sander 10 x 330mm
Model No: SA635

Item	Part No.	Description
1	SA35/B80G	Sanding Belt 10 x 330mm 80Grit (Pack of 5)
2	SA635.02	Idle Pulley Sub Assembly
4	SA635.04	Idle Pulley Shaft
5	SA635.05	Bracket
6	SA635.06	Tension Bar
7	SA635.07	Set Screw
8	SA635.08	Screw
9	SA635.09	Spring
10	SA35/93/06/10	Spring Pin
11	SA635.11	Spring
12	SA635.12	Shoe
13	SS48.S	Hex Head Set Screw M4 x 8mm
14	SA635.14	Guard Sub Assembly
15	SCB512.SB	Socket Cap Bolt M5 x 12mm Black
16	NLN6.S	Nyloc Nut M6
17	SA635.17	Drive Pulley
18	SA635.18	Housing
19	B/628ZZ	Bearing
20	SA635.20	Front End Plate
21	SA635.21	Spacer
22	SA635.22	Woodruff Key
23	SA635.23	Rotor Blade
24	SA635.24	Rotor
25	SA635.25	Cylinder
26	SA635.26	Rear Plate
27	B/607ZZ	Bearing
28	SA635.28	O-Ring
29	SA635.29	Nut

Item	Part No.	Description
30	SA635.30	O-Ring
31	SA635.31	Lock Nut
32	SA635.32	Throttle Lever
33	SA34/12	Spring Pin
34	SA635.34	Motor Housing
35	SA792.V3-67	O-Ring
36	SA635.36	Valve Stem
37	SA912.V2-04	O-Ring
38	SA635.38	Valve Spring
39	SA635.39	Air Controller
40	SA355.V2-04	O-Ring
41	SA635.41	O-Ring
42	SA635.42	Valve Screw
43	SA635.43	Spring
44	SA92.V2-18	Spring Pin
45	SA635.45	Tension Bar
46	SA635.46	Spring Pin
47	SA635.47	Dust Cover
48	FWM6.S	Flat Washer M6
49	SA635.49	Silencer
50	SA621.V2-13	O-Ring
51	SA635.51	Air Deflector
52	SA635.52	Air Inlet
53	SA635.53	Cap
--	SA35/B100G	Sanding Belt 10 x 330mm 100Grit (Pack of 5) (Not Shown)
--	SA35/B120G	Sanding Belt 10 x 330mm 120Grit (Pack of 5) (Not Shown)

NOTE: It is our policy to continually improve products and as such we reserve the right to alter data, specifications and component parts without prior notice. There may be alternative versions of this product, please contact us should you require this information.

IMPORTANT: No liability is accepted for incorrect use of product. Spare parts must be fitted by a competent person

WARRANTY: Guarantee is 12 months from purchase date, proof of which will be required for any claim.

Sealey Group, Kempson Way, Suffolk Business Park, Bury St Edmunds, Suffolk. IP32 7AR



01284 757500



01284 703534



sales@sealey.co.uk



www.sealey.co.uk